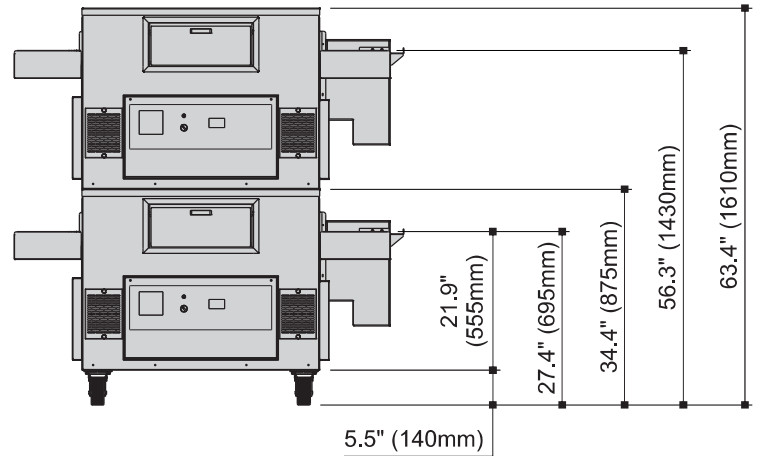
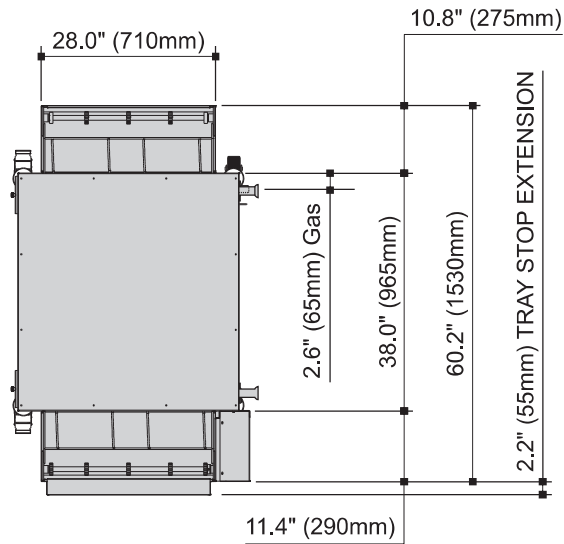
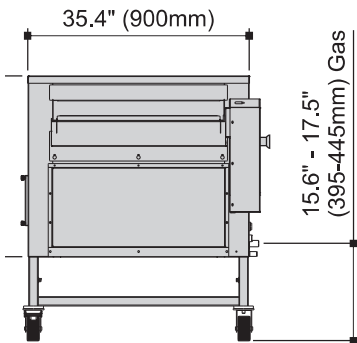


# DIMENSIONAL DRAWINGS

## MSP-2638 (Double Stacked)

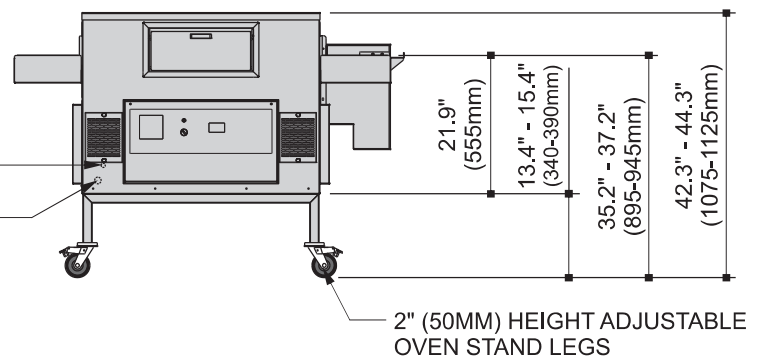


## MSP-2638 (Single Stacked)



ELECTRICAL INLET AT THE REAR

3/4" BSP MALE GAS INLET AT THE REAR



MIGALI® REMAINS AN AMERICAN FAMILY COMPANY SINCE 1955